



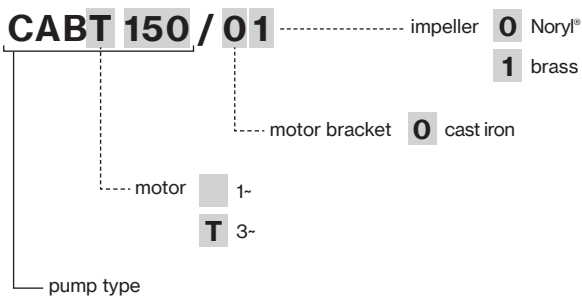
Self-priming centrifugal pumps for water supply (also mixed with air) of small and medium domestic and civil installations, that can be connected to an autoclave tank.

Construction features

Pump body	cast iron
Motor bracket	cast iron
Impeller	Noryl® or brass
Mechanical seal	ceramic-graphite-NBR
Motor shaft	stainless steel AISI 303 hydraulic side
Liquid temperature	0 - 50 °C
Operating pressure	max 8 bar

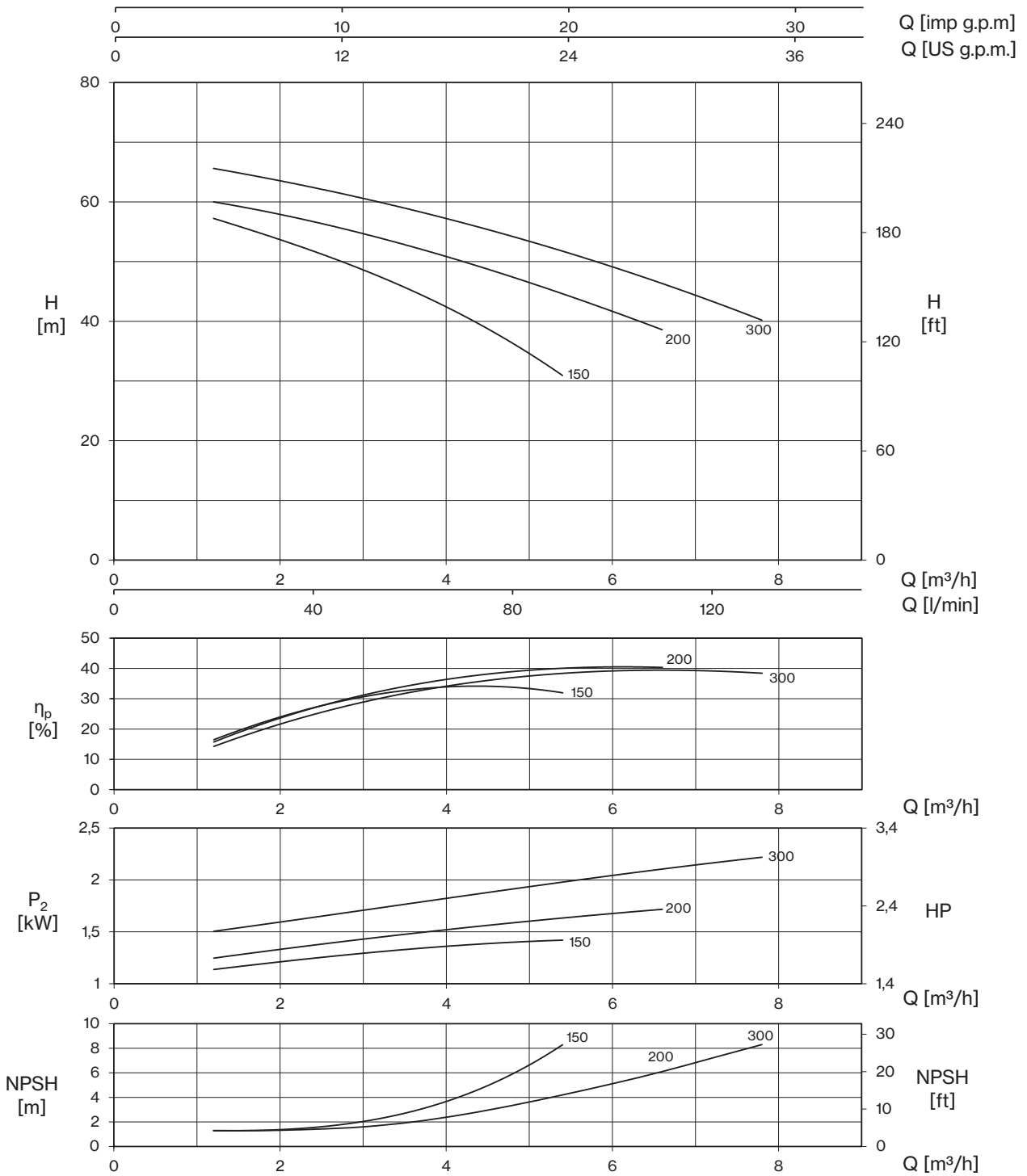
Motor

	3~ 230/400V - 50Hz
2 Poles induction motor	1~ 230V - 50Hz (with thermal protection)
Insulation class	F
Protection degree	IPX4



TYPE	LOTS			
	TRUCK		CONTAINER	
	PALLET (cm)	N° pumps	PALLET (cm)	N° pumps
CAB	85×110×140	30	85×110×190	42

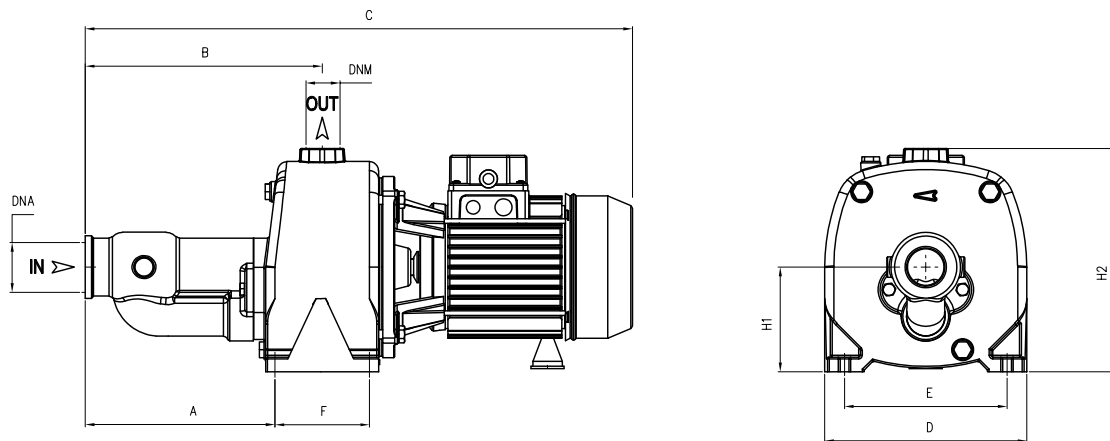


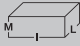



TYPE		P2		P1 (kW)		AMPERE		Q (m³/h - l/min)							
1~	3~					1~	3~	0	1,2	1,8	3	4,2	5,4	6,6	7,8
		HP	kW	1~	3~	1~ 230V 50 Hz	3~ 400V 50 Hz	0	20	30	50	70	90	110	130
								H (m)							
CAB 150	CABT 150	2	1,5	1,8	1,7	8,2	3,6	61,5	57,2	54,7	48,5	40,9	30,8		
CAB 200	CABT 200	2,5	1,85	2,2	2,1	9,9	4,3	62,8	60,0	58,5	54,7	50,1	44,5	38,7	
CAB 300	CABT 300	3	2,2	2,8	2,6	13,0	5,2	68,4	65,6	64,0	60,7	56,5	51,7	46,4	40,2



CAB



TYPE		DIMENSIONS (mm)														
-1	-3	A	B	C	D	E	F	H1	H2	DNA	DNM	I	L	M	-1	-3
CAB 150	CABT 150	204	257	626	220	177	105	112	240	1" 1/2 G	1" G	638	230	255	33	34
CAB 200	CABT 200	204	257	626	220	177	105	112	240			638	230	255	32,5	33
CAB 300	-	204	257	696	220	177	105	112	240			777	259	280	42	-
-	CABT 300	204	257	626	220	177	105	112	240			638	230	255	-	34

